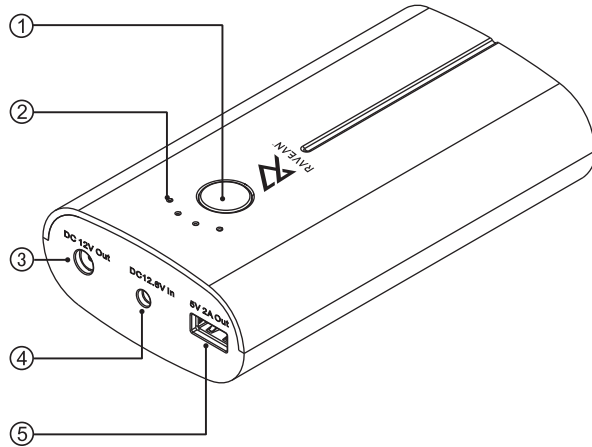
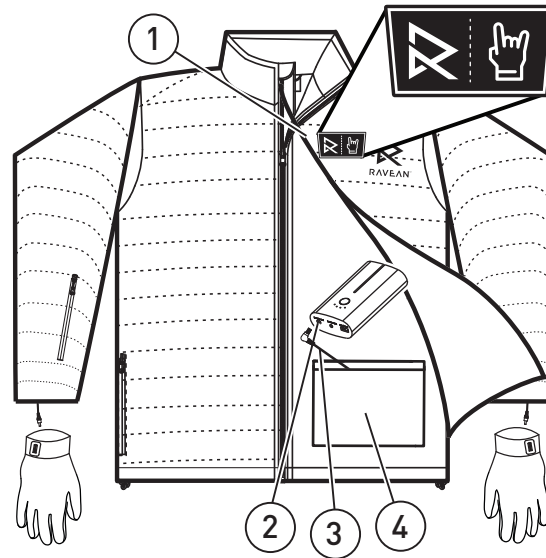




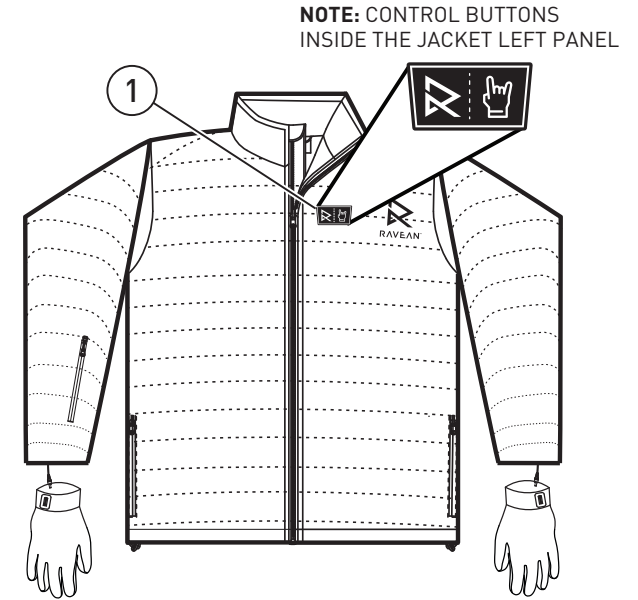
RAVEANHEAT™ C6 SYSTEM : 12V QUICK SETUP GUIDE



- ① Power indicator button
- ② LED power indicator
- ③ 12V outlet
- ④ 12.6V inlet
- ⑤ USB outlet for charging mobile devices



- 1. CONTROL BUTTONS
- 2. 12V OUTPUT POWER PORT
- 3. 12V POWER CORD
- 4. BATTERY POCKET



- 1. CONTROL BUTTONS (JACKET AND GLOVES)**
- TURN ON:** press and hold for 1-2 seconds to turn on. The button will light up and pulse red as it preheats (about 5 minutes), and then automatically adjust to medium heat (white led light)
- HIGH (RED LED):** to start on high mode press button once after it turns on, the light will go solid red
- MEDIUM (WHITE LED):** press again for medium
- LOW (BLUE LED):** press again for low (Each press will take you to the next setting)
- TURN OFF:** to turn off, press and hold at any temperature setting, until led light turns off.

POWER SOURCE

Grab your Ravean power bank and locate the 12V Outlet. Make sure the power bank is fully charged by the power indicator button.

CONNECTING BATTERY

With your fully charged Ravean 12V power bank ready to go, plug in the 12V power cord. Place it into the battery pocket. Well done!

CONTROLLING YOUR JACKET

Press and hold the control buttons until the LED light, located on the button, lights up. Once the LED light is on, your garment will immediately begin warming you. Repeat for the glove control button.